



Umidificatore a freddo **Humi³**

Cold Humidifier

Humidificador frío

Humidificador a frio

Humidificateur à froid

Kalt-Luftbefeuchter

Koudeluchtbevochtiger

Κρύος υγραντήρας

Soğuk yöntemle nemlendirici

Увлажнитель воздуха холодного типа



Fig. A

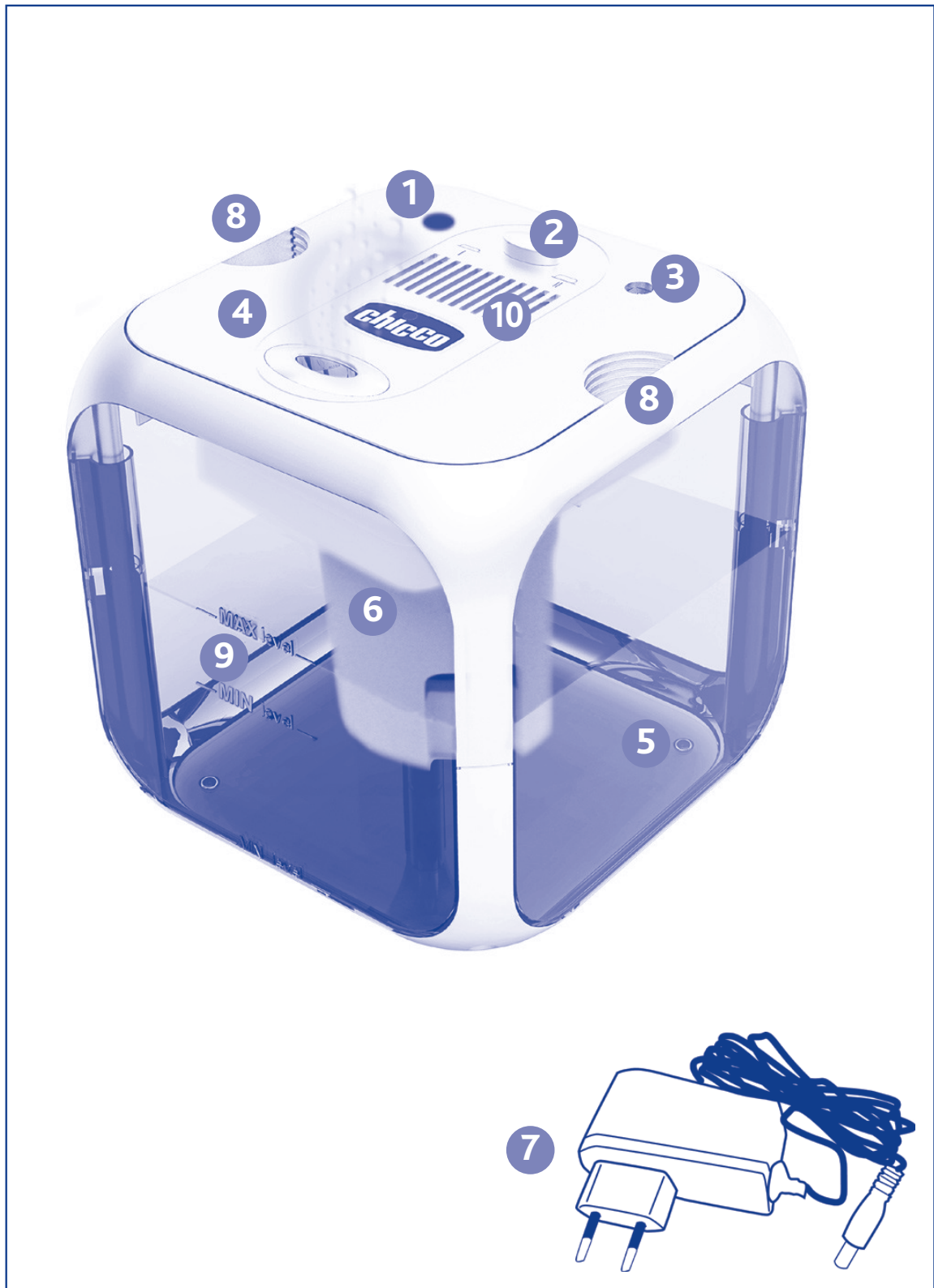


Fig. B

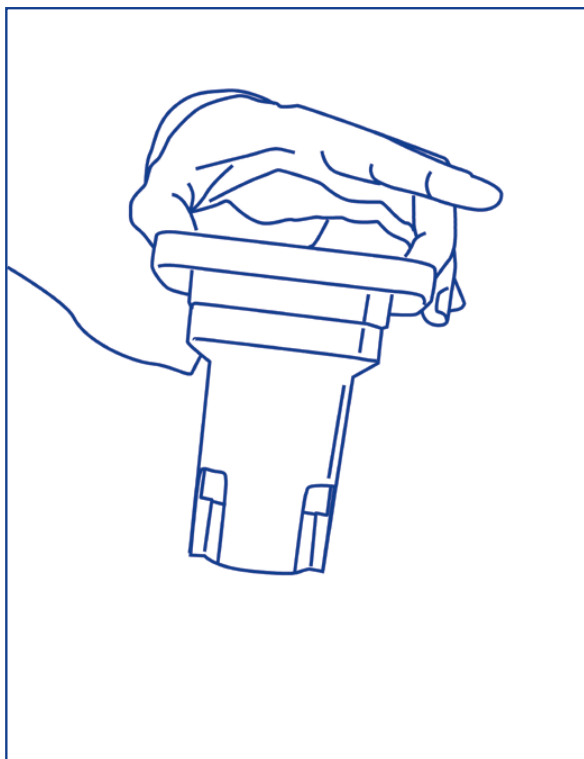


Fig. D

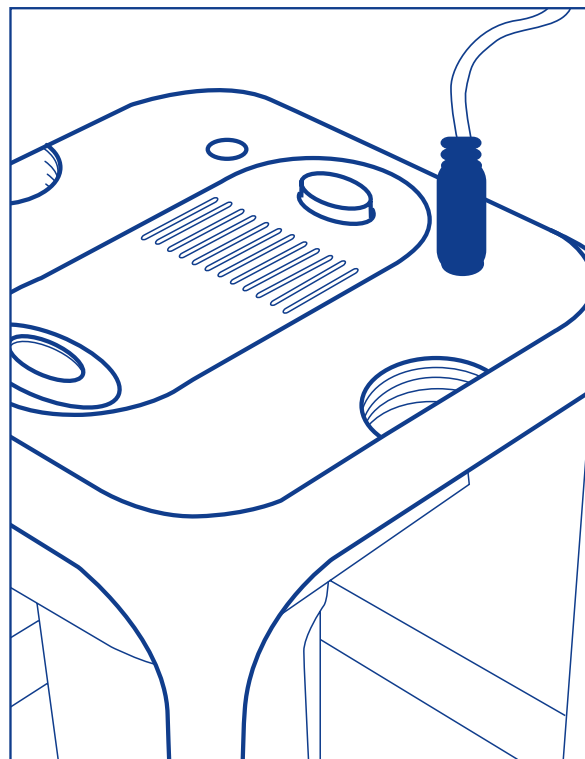


Fig. C

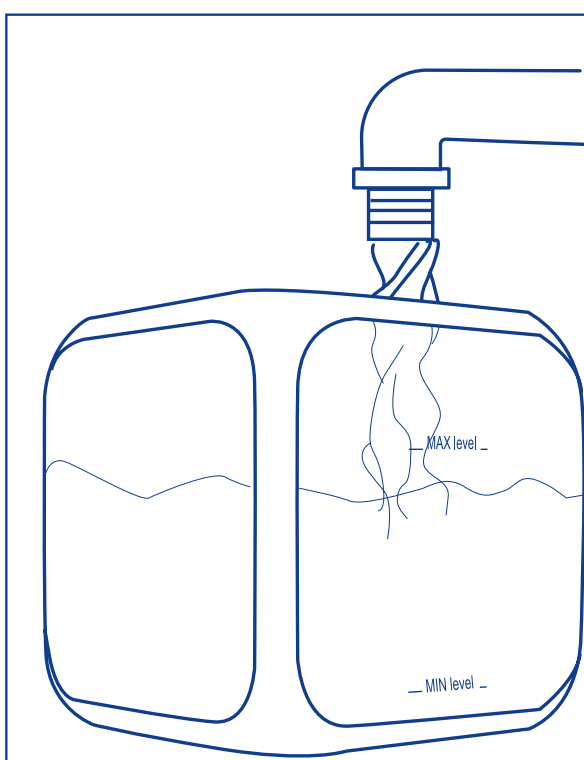
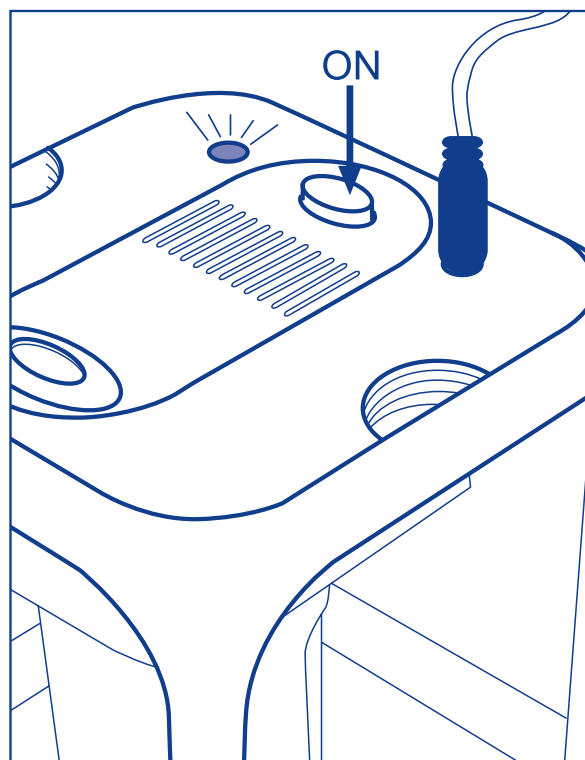


Fig. E



GB Cold Humidifier HUMI³

Pack Content

Humidifier
AC/DC Mains Adaptor
Instructions Booklet
Recyclable packaging materials have been used where possible in respect of the environment.

A correctly humidified environment helps to maintain the natural protective functions of the nasal mucous and the breathing tracts, ensuring greater protection against harmful bacteria and polluting dusts.

The HUMI³ Cold Humidifier works by nebulising cold water using a high frequency vibration system which is not perceptible to the human ear or those of pets (very high frequency ultra-sounds). The HUMI³ Cold Humidifier is ideal for use in rooms frequented by children: it is silent, which means it can be used without disturbing children while they asleep; the cold humidification guarantees that there is no risk of burns; furthermore its compact design makes it ideal for placing on a side table or a small shelf. It uses very little electricity, just 15W.

For your child's well-being, before switching on the humidifier, carefully check indoor temperature and humidity levels with a Chicco hygrometer and compare them with the values shown in the following chart.

Temperature of approximately 16°/20° C

Healthy child	40-60%.
child with cold and/or cough	60-70%
child suffering from asthma	35 - 50% (as a preventive measure)

CHICCO PROTECTS YOUR BABY

- Ultrasound nebulising system which releases cold nebulised water
- Very compact
- Low power consumption.

Key (Diag. A)

- 1) Appliance ON/OFF indicator LED
- 2) ON I / OFF O switch
- 3) Mains Adaptor
- 4) Nebulised water outlet nozzle
- 5) Water tank
- 6) Nebulising unit (transducer)
- 7) AC/DC Mains Adaptor
- 8) Handle grooves
- 9) Water level indicator MIN / MAX
- 10) Air vents



Warning:

- This product is only intended for the use it has been specifically designed for: humidifier for domestic environments. All other use is to be considered improper and therefore hazardous. Artsana declines all responsibility for any damage caused by the inappropriate, incorrect or unreasonable use of the appliance.
- This appliance is not a toy. Keep the appliance and AC/DC adaptor power cable out of reach of children.
- After removing any packaging materials, ensure that the humidifier has not been damaged during transport. In the case of doubt, do not use the appliance and contact Artsana's technical department or an authorised retailer only.
- Keep all packaging materials (plastic bags, boxes, cardboard etc) out of reach of children.
- Before connecting the appliance, ensure that the rated voltage on the AC/DS main adaptor label corresponds to the mains' voltage supply.
- Connect the appliance to a mains socket that is easily accessible only by an adult.
- Do not place the appliance on delicate surfaces, or surfaces that may be sensitive to water and humidity.
- Only place the appliance on flat and stable surfaces which are out of reach of children.
- For best results, place the appliance at a height of at least 70 -100 cm from the floor.
- Do not direct the nebulised water outlet nozzle towards people, furniture, curtains, walls, electrical appliances or objects that may be sensitive to water and/or humidity. When the appliance is functioning normally, the surface around the outlet nozzle could get



wet due to the accumulation of nebulised water.

- Never obstruct the air vents (10) on the top side of the appliance with cloths or any other object. Warning! Obstructing the air vents could cause the internal electric circuit to overheat.
- Fill the water tank (5) with cold clean drinking or distilled water only.
- Never add any salt, aromatic oils or anything else to the water contained in the tank (5), as the appliance could be damaged permanently.
- The appliance must never be switched on without water in the tank. Always check there is water before switching the appliance on.
- This electrical appliance is not intended for use by people (children included) with reduced physical or mental capacities, or with insufficient experience or knowledge, unless they are under the supervision of a person responsible for their safety, or have been instructed on how to use the appliance.
- Always disconnect the mains adaptor plug (7) from the mains socket when the appliance is not in use or left unattended.
- Only use the mains adaptors (7) supplied with the product, or exactly the same type with the same electrical characteristics when the same has to be replaced.
- Before cleaning or doing any work on the appliance, make sure it is switched off, the mains adaptor plug (7) has been disconnected from the main socket and the main adaptor (7) cable plug has been disconnected from the appliance.
- Do not use accessories, spare parts, or any component not supplied or approved by the manufacturer.
- This appliance has no parts that can be repaired. The appliance can only be opened using special tools. In case of repairs only contact a qualified technician or Artsana S.p.A.'s authorised service centres.
- When using any electrical appliance, it is necessary to follow some basic safety regulations:
 - Never touch the appliance with wet or damp hands.
 - Do not pull the AC/DC main adaptor cable to unplug the appliance from the mains.
 - Do not leave the appliance exposed to atmospheric agents (rain, sun, etc.).

- Keep the appliance, the AC/DC mains adaptor and relative power cable out of reach of children.
- Never submerge the appliance in water or any other liquid.
- If the appliance is faulty and/or not working correctly, switch it off immediately by disconnecting the mains adaptor (7) plug from the mains socket. Do not attempt to open the product. Contact authorised technicians or your retailer.
- Do not touch the equipment if it has accidentally fallen in water; disconnect the power supply, lowering the lever of your central fuse box and disconnect the main adaptor (7) plug from the mains socket before touching the appliance. Do not use the appliance and contact qualified technicians or an authorised retailer.
- Never open or move the humidifier when it is working.
- The appliance must be cleaned and dried thoroughly at the end of every cycle.
- If the appliance is not used for a long period, the water tanks must be rinsed out and dried before use.
- Before using the appliance, we recommend rinsing all the parts indicated below thoroughly in cold, clean drinking water: the nebulising unit (transducer) (6), water tank (5) and nebulised water outlet nozzle (4).
- When the appliance is no longer used, it is recommended to unplug the mains adaptor (7) plug from the mains socket and cut off the AC/DC mains adaptor (7) plug.
- Do not move, lift or incline the humidifier or carry out cleaning or maintenance operations when the appliance is operating or is connected to the mains socket.
- Do not dispose of this product as a normal urban refuse. Dispose of it at a differentiated collection point for electrical/electronic appliances (WEEE), as requested by the laws in force and EC Regulations.
- When the appliance is in use, always take great care. Never lift the humidifier nebulising unit (transducer) (6) up and make sure it is positioned correctly.
- Children should be kept under adult supervision to ensure that they do not play with the appliance.
- Do not store the humidifier with water in the tank in rooms with very low temperatures






(<5°C).

- To avoid the risk of fire, do not place the AC/DC mains adaptor (7) cable under carpets or close to radiators, or gas and/or electrical heaters.
- Never use plug adaptor, multiple plugs and/or extension wires.
- Never touch the transducer with wet or damp hands.

INSTRUCTIONS FOR USE

Preliminary operations and functions

- Check that the appliance is perfectly clean, that the on/off switch (2) is in the O – OFF position and that the AC/DS mains adaptor (7) plug is disconnected from the mains (Diag. A)
- Lift the nebulising unit (transducer) (6) using the handle grooves (8) (Diag.B).
- Fill the water tank (5) with cold clean drinking or distilled water up to MAX level indicator (9) (Diag.C).

 **WARNING:** used drinking or distilled water only, never use other liquids or substances. Never add any aromatic oils to the water contained in the tank (5), as the appliance could be damaged permanently.

- Replace the nebulising unit (transducer) (6) on the water tank (5).
- Place the appliance in the selected area, at about 70 – 100 cm from the floor, following the indications specified in the Warnings paragraph.
- Connect the AC/DC main adaptor (7) cable plug to the main adaptor connector on the appliance (Diag. D), then connect the AC/DC mains adaptor (7) plug into the mains socket
- Turn the on/off switch (2) to “I” – ON; the light blue appliance ON (1) indicator will come on (Diag. E) and the nebulised water will start to be expelled from the nebulised water outlet nozzle (4)
- The humidifier also has a water level sensor. When the water in the tank runs out, the nebulisation circuit will switch off automatically (stand by function) to prevent any damage to the transducer, whilst the device fan continues to operate normally (9).

 **Warning!!**

Never add any salt, aromatic oils or anything else to the water contained in the tank, as the appliance could be damaged permanently. Never direct the nebulised water flow towards furniture, curtains or electrical appliances or anything else that is sensitive to water or humidity. Always switch the appliance off and disconnect it from the mains when not in use or left unattended.

SAFETY AND MAINTENANCE

 **Warning!!**

Before starting any cleaning/maintenance operations on the appliance, turn the on/off switch (2) to O - OFF and disconnect the AC/DC mains adaptor plug from the mains socket to prevent the risk of electric shocks.

Daily cleaning:

In order to avoid/reduce the formation of bacteria or scale residues, it is necessary to clean the appliance daily, as indicated below:

- Lift the humidifier nebulising unit (transducer) (6) off the water tank (5) using the handle grooves (8).
- Empty all water residue from the water tank (5).
- Fill the water tank (5) with cold clean drinking or distilled water.
- Rinse several times, taking care to pour out all the water.
- After draining all the water, dry thoroughly with a dry cloth, wiping it carefully over the nebulising unit (transducer) (6) as well.
- In the case where the appliance will not be used, after the daily cleaning procedure, dry all parts immediately and then store it away.

 **Warning!!**

- Never clean the water tank (5) with abrasive products, alcohol, solvents or similar products: these products could damage the water tank (5).
- Never place the appliance under running water
- Do not wet the electric power cable or air vent.





- Do not allow water to enter the top section of the nebulising unit (transducer) (6); if this should happen, have it checked by a retailer or qualified technician before using it.
- Do not scratch the transducer with any tools. Do not clean with chemical or abrasive products.

Weekly cleaning:

How to clean the appliance outer surface:

Clean the appliance outer surface with a soft damp cloth using water and standard washing up liquid. Do not use abrasive products, harsh detergents, alcohol, solvents or similar products, which may cause permanent damage to the appliance outer surface.

Cleaning the water tank

During normal use of the appliance, the salts contained in the water could cause the formation of scale residues on the transducer and water tank (5). The formation of scale residues could take place more or less quickly, depending on the type of water, its hardness and frequency of use of the appliance. The harder the water, the quicker the formation of scale residues.

Scale residues decrease performance and even prevent the appliance from operating, so they should be removed at least once a week.

After cleaning the appliance daily following the instructions above, it is therefore recommended to descale the appliance, at least once a week, as indicated below:

- Repeat the operations indicated in the “Daily cleaning” paragraph.
- Prepare a solution of water (preferably distilled) and white vinegar in equal parts, and fill the water tank (5) with the solution. Leave the solution in place for at least 4 hours (even better if overnight).
- Rinse thoroughly and repeatedly with drinking water and dry gently using a soft cloth. If necessary, repeat the operation until all the scale residues have been removed.



Warning!!

- Never place the appliance under running water
- If the humidifier is not used for a long period, dry the water tank (5) and the transducer af-

ter cleaning.

- Do not wet the electric power cable or air vent.
- Do not allow water to enter the top section of the nebulising unit; if this should happen, have it checked by a retailer or qualified technician before using it.
- Do not scratch the transducer with any tools. Do not clean with chemical or abrasive products.





TROUBLE SHOOTING

Problem	Solution
If the humidifier does not work	Check that the AC/DC main adaptor (7) cable plug is correctly connected to the mains adaptor connector (3) and that the e AC/DC mains adaptor (7) is plugged into the mains socket Check that the ON/OFF switch (2) is in the ON (I) position. Check there is enough water in the tank (not below the minimum level mark)
Of the appliance on/off indicator LED (1) is ON but the nozzle expels air and not nebulised water	Check there is no scale residue on the water level sensor or on the transducer. Check there is enough water in the tank (not below the minimum level mark)
Strange odour	Clean the appliance following the instructions provided. Air the water tank (5) in a cool place for 12 hours.

TECHNICAL FEATURES

Mod. UM550

Nominal characteristics AC/DC Mains Adaptor: 100-240 V~ 50/60Hz 0.5A Output: 12V= =1200 mA

Nominal voltage humidifier power supply: 12 V= =

Absorbed power: 15W

Dedicated AC/DC Mains Adaptor: ELY mod. SAW-1201200

Ultra-sound transducer frequency: 2.45 MHz

Water tank capacity: 0.79 L approx. / 0.43 L useful

Nebulising capacity: 38 ml/h, approx.

Suitable for environments with volumes: 30m³.

Autonomy: 6 hours, approximately

Noise : lower than 40 dB

Type of appliance: continuous operation

Safety class: Class II

Weight: 0.4 kg .

Size: 120x120x120 mm

REF 00 000386 000 000

Storage environmental conditions:

Ambient temperature: -40 ÷ +70 C°

Relative humidity: 10 %÷ 90 %

Declaration of EC Compliance:

Artsana S.p.A declares that this Chicco humidifier, model UM550, is in compliance with the essential requirements and other provisions laid down in 2004/108/EC Directives (electromagnetic compatibility) and 2006/95/EC Directive (electrical safety). Please feel free to contact Artsana S.p.A. Via S. Catelli 1 – 22070 Grandate (Co) Italy for a copy of this EC Declaration.

SYMBOLS KEY



double insulation



Equipment in compliance with the essential requirements laid down in the EC Directives



WARNING!



user instructions



please read the instructions booklet



for indoor use only



F Umidificateur à Froid HUMI³

Contenu de l'emballage

Humidificateur

Adaptateur AC/DC de réseau

Notice d'instructions

Pour respecter l'environnement, du matériel d'emballage recyclable a été utilisé.

Le maintien d'un taux d'humidité idéal dans la pièce contribue à préserver les fonctions protectrices naturelles des muqueuses nasales et des voies respiratoires en donnant une protection majeure contre les bactéries et les particules polluantes.

L'humidificateur à froid HUMI³ fonctionne en nébulisant de l'eau froide par des vibrations à très haute fréquence imperceptibles à l'oreille humaine et à l'ouïe des animaux domestiques (ultrasons à très haute fréquence). L'humidificateur à froid HUMI³ est idéal pour l'humidification des pièces occupées par des enfants : il est silencieux, et peut donc être utilisé pendant la sieste sans déranger; la nébulisation à froid, permet d'éviter les risques de brûlures; en outre, l'encombrement minimum permet de le poser sur une table de nuit ou une étagère. La consommation d'énergie est très réduite, seulement 15W.

Pour le bien-être de l'enfant, avant d'allumer l'humidificateur, contrôler attentivement la température et l'humidité de la pièce où il se trouve en prenant comme référence les valeurs indiquées dans le tableau ci-dessous et en les comparant à l'aide d'un hygromètre Chicco.

A une température d'environ 18°/20° C

Enfant sain	40-60%.
Enfant malade : rhume, rhinite...	60-70%
Enfant asthmatique	35 - 50% (à titre préventif)

CHICCO ASSURE A VOTRE ENFANT

- Système de nébulisation à ultrasons avec émission de vapeur froide
- Encombrement minimum
- Basse consommation d'énergie

Légende (Fig. A)

- 1) Voyant lumineux de signalisation d'appareil allumé
- 2) Interrupteur allumé I / éteint O
- 3) Connecteur adaptateur de réseau
- 4) Conduit de sortie de la vapeur
- 5) Réservoir
- 6) Groupe nébuliseur (transducteur)
- 7) Adaptateur de réseau AC/DC
- 8) Points de prise
- 9) Jauge de niveau de l'eau MIN / MAX
- 10) Grilles d'aération

Avertissements

- Appareil destiné uniquement à l'utilisation pour laquelle il a été expressément conçu, à savoir comme humidificateur à usage domestique. Toute autre utilisation doit être retenue incorrecte et donc dangereuse. Artsana ne pourra être tenue responsable de tout dommage éventuel provenant d'une utilisation non conforme et déraisonnable.
- Ce produit n'est pas un jouet. Tenir l'appareil et le fil électrique de l'adaptateur de réseau AC/DC hors de portée des enfants.
- Après avoir retiré l'appareil de l'emballage, vérifier s'il est intact et ne montre pas de signes d'endommagements visible pouvant avoir été causés au cours du transport. En cas de doute, ne pas utiliser l'appareil et s'adresser exclusivement au personnel techniquement compétent ou au revendeur.
- Tenir tous les éléments de l'emballage (sachets en plastique, boîtes, cartons, etc.) hors de portée des enfants.
- Avant de brancher l'appareil, s'assurer que les informations indiquées sur la plaque d'alimentation de l'adaptateur de réseau AC/DC correspondent à celles du secteur électrique.
- Brancher l'appareil à une prise de courant facile d'accès. Seul un adulte doit le faire.
- Ne pas poser l'appareil sur des surfaces délicates ou sensibles à l'eau et à l'humidité.
- Placer l'appareil uniquement sur des surfaces planes et stables non accessibles aux enfants.



- Pour un meilleur fonctionnement, placer l'appareil à une hauteur d'au moins 70 -100 cm du sol.
- Ne pas orienter la sortie de vapeur vers les meubles, rideaux, murs, appareils électriques ou objets sensibles à l'eau et/ou à l'humidité. Durant le fonctionnement normal de l'appareil, le plan à proximité de la sortie de vapeur pourrait être mouillé à cause du dépôt de vapeur.
- Ne pas boucher les grilles d'aération (10) sur la partie supérieure de l'appareil avec des chiffons et des objets divers. Attention ! Leur obstruction pourrait provoquer la surchauffe des circuits électriques internes.
- Ne remplir le réservoir (5) qu'avec de l'eau potable froide, propre, ou de l'eau déminéralisée.
- Ne jamais ajouter de sel, huile balsamique ou autre substance à l'eau contenue dans le réservoir (5) sous peine d'endommager irrémédiablement l'appareil.
- L'appareil ne doit pas être allumé sans eau. Toujours vérifier la présence d'eau avant d'utiliser l'appareil.
- Cet appareil électrique n'est pas adapté aux personnes (y compris les enfants) aux capacités physiques, sensorielles ou mentales réduites, ou n'ayant pas d'expérience et connaissance, à moins qu'elles ne soient contrôlées ou instruites sur l'utilisation correcte de l'appareil par une personne responsable de leur sécurité.
- Ne jamais laisser la fiche de l'adaptateur de réseau (7) dans la prise de courant lorsque l'appareil ne fonctionne pas ou lorsqu'il est sans surveillance.
- Le remplacement éventuel de l'adaptateur de réseau (7) doit être fait avec un autre adaptateur du même genre et aux caractéristiques identiques.
- Avant toute opération de nettoyage ou d'entretien s'assurer que l'appareil est éteint et débrancher la fiche de l'adaptateur de réseau (7) de la prise de courant et détacher la broche du fil de l'adaptateur de réseau (7) de l'appareil.
- Ne pas utiliser d'accessoires, de pièces de rechange ou de composants non prévus/fournis par le producteur.
- Cet appareil ne contient pas de pièces réparables. L'ouverture de l'appareil n'est possible qu'au moyen d'outils spéciaux. Toute répa-

ration éventuelle doit être effectuée exclusivement par du personnel techniquement compétent ou par des réparateurs autorisés par Artsana S.p.A.

- L'utilisation de tout appareil électrique exige le respect de certaines règles fondamentales:
 - Ne jamais toucher l'appareil avec les mains mouillées ou humides
 - Ne pas tirer sur le fil de l'adaptateur de réseau AC/DC pour le débrancher de la prise de courant
 - Ne pas laisser l'appareil exposé aux agents atmosphériques (pluie, soleil, etc.)
 - Tenir l'appareil, le fil de l'adaptateur de réseau (7) loin des sources de chaleur
 - Ne jamais plonger l'appareil dans l'eau ou tout autre liquide
 - En cas de panne et/ou mauvais fonctionnement de l'appareil, l'éteindre en retirant la fiche de l'adaptateur de réseau (7) de la prise de courant, ne pas tenter de le manipuler mais s'adresser exclusivement au personnel techniquement compétent ou au revendeur
 - Ne pas toucher l'appareil s'il tombe accidentellement dans l'eau. Couper immédiatement le courant en baissant le levier de l'interrupteur général de l'installation électrique de votre habitation et retirer immédiatement la fiche de l'adaptateur de réseau (7) de la prise de courant avant de toucher l'appareil. Ne pas l'utiliser ensuite et s'adresser au personnel techniquement compétent ou au revendeur.
- Ne pas ouvrir ou déplacer l'humidificateur s'il est en marche.
- Nettoyer et essuyer soigneusement l'appareil à la fin de chaque cycle de fonctionnement.
- Si l'appareil n'est pas utilisé pendant une période prolongée, le réservoir d'eau doit être rincé et essuyé avant la prochaine utilisation.
- Avant chaque utilisation de l'appareil, nous recommandons de rincer soigneusement avec de l'eau potable froide et propre, les pièces suivantes : le groupe nébuliseur (transducteur) (6), le réservoir d'eau (5) et le conduit de sortie de la vapeur (4).
- Si l'appareil ne doit plus être utilisé, nous recommandons, après avoir débranché la fiche de l'adaptateur de réseau (7) de la prise de courant, de le mettre hors d'usage en coupant la broche du fil de l'adaptateur de ré-





seau AC/DC (7).

- Ne pas déplacer, soulever, incliner ou procéder à des opérations de nettoyage ou d'entretien sur l'humidificateur s'il fonctionne ou s'il est branché au secteur.
- Ne pas écouler ce produit comme n'importe quel déchet domestique classique mais procéder au tri sélectif pour appareils électriques/électroniques (RAEE) conformément aux lois et directives CE en vigueur.
- Lorsque l'appareil est allumé, toujours faire attention de ne pas soulever le groupe nébuliseur (transducteur) (6) de l'humidificateur et s'assurer qu'il soit correctement positionné.
- Surveiller les enfants pour s'assurer qu'ils ne jouent pas avec l'appareil.
- Ne pas conserver l'humidificateur, avec de l'eau à l'intérieur, dans des pièces à très basses températures (<5°C).
- Pour prévenir tout risque d'incendie, ne pas faire passer le fil de l'adaptateur de réseau AC/DC (7) sous les tapis ou près des radiateurs, poêles et réchauds.
- Ne pas utiliser d'adaptateurs de fiche, prises multiples et/ou rallonges.
- Ne pas toucher le transducteur avec les mains ou des objets.

MODE D'EMPLOI

Opérations préliminaires et fonctionnement

- Vérifier si l'appareil est parfaitement propre, l'interrupteur (2) en position éteinte O et si la fiche de l'adaptateur de réseau AC/DC (7) n'est pas branchée au réseau électrique (Fig. A)
- Soulever le groupe nébuliseur (transducteur) (6) en utilisant les points de prise (8) (Fig. B)
- Remplir le réservoir (5) avec de l'eau potable froide et propre, ou avec de l'eau déminéralisée jusqu'au niveau MAX indiqué (9) (Fig. C)



ATTENTION: utiliser uniquement de l'eau potable ou déminéralisée, ne pas introduire d'autres liquides ou substances. Ne pas ajouter de l'huile balsamique à l'eau dans le réservoir (5), car l'appareil pourrait s'endommager irrémédiablement.

Replacer le groupe nébuliseur (transducteur) (6) sur le réservoir (5)

Placer l'appareil à l'endroit souhaité à environ 70 -100 cm du sol en respectant les précautions indiquées dans le paragraphe "Avertissements"

Relier la broche du fil de l'adaptateur de réseau AC/DC (7) au connecteur de l'adaptateur de réseau (3) sur l'appareil (Fig. D), puis, brancher la fiche de l'adaptateur de réseau AC/DC (7) à une prise de courant du réseau domestique

Allumer l'appareil en appuyant sur l'interrupteur (2) – position "I"; le voyant lumineux bleu s'allumera pour signaler que l'appareil est en marche (1) (Fig. E) et la vapeur commencera à sortir du conduit de sortie (4)

L'humidificateur est doté d'une jauge de niveau d'eau. Lorsqu'il n'y a plus d'eau dans le réservoir, le circuit de nébulisation s'éteint automatiquement (fonction stand by) pour éviter l'endommagement du transducteur, alors que le ventilateur de l'appareil reste normalement en marche (9).



Attention!!

Ne jamais ajouter de sel, huile balsamique, toute autre substance à l'eau contenue dans le réservoir car l'appareil pourrait s'endommager irrémédiablement.

Ne pas diriger le flux de vapeur vers les meubles, rideaux ou appareils électriques ou tout autre objet sensible à l'eau ou à l'humidité.

Toujours éteindre et débrancher l'appareil lorsqu'il n'est pas utilisé ou laissé sans surveillance.

SECURITE ET ENTRETIEN



Attention!!

Avant de procéder aux opérations de nettoyage/entretien de l'appareil, toujours éteindre l'appareil en appuyant sur l'interrupteur allumé I / éteint O (2) et débrancher la fiche de l'adaptateur de réseau AC/DC de la prise de courant afin d'éviter tout risque de décharge électrique.

Nettoyage quotidien :

Afin d'éviter/réduire la formation éventuelle de bactéries ou de calcaire, nettoyer chaque jour l'appareil conformément aux instructions





suivantes :

Soulever le groupe nébuliseur (transducteur) (6) du réservoir d'eau (5) en agissant sur les points de prise (8) de l'humidificateur.

Vider le réservoir (5) de tout résidu d'eau.

Remplir le réservoir (5) avec de l'eau potable froide et propre, ou déminéralisée.

Rincer plusieurs fois en égouttant complètement l'eau.

Après avoir retiré l'eau, essuyer soigneusement avec un chiffon sec en le passant délicatement aussi sur le groupe nébuliseur (transducteur) (6).

Si l'appareil n'est pas utilisé, après le nettoyage quotidien, essuyer immédiatement toutes les pièces de l'appareil, puis le ranger.



Attention !!

Eviter de procéder au nettoyage du réservoir d'eau (5) avec des détergents agressifs, des produits abrasifs, de l'alcool, des solvants ou produits similaires car le réservoir (5) pourrait s'endommager.

Ne pas placer l'appareil directement sous le jet d'eau

Tenir le fil électrique et les grilles d'aération éloignés de l'eau.

Ne pas faire entrer l'eau dans la partie haute du groupe nébuliseur (transducteur) (6); si cela a lieu, avant de le réutiliser, porter l'appareil chez un revendeur ou un technicien spécialisé pour un contrôle.

Ne pas gratter le transducteur avec des outils et ne pas utiliser de produits chimiques ou abrasifs pour le nettoyer.

Nettoyage hebdomadaire:

Nettoyage externe de l'appareil :

Nettoyer les parties externes de l'appareil à l'aide d'un chiffon doux légèrement humidifié avec de l'eau et un détergent courant pour la vaisselle. Ne pas utiliser de produits abrasifs, de détergents agressifs, de l'alcool, des solvants ou des produits similaires car les surfaces de l'appareil pourraient s'endommager irrémédiablement.

Nettoyage du réservoir

Lors de l'utilisation normale de l'appareil, les sels contenus dans l'eau pourraient former des incrustations de calcaire sur le transducteur et

dans le réservoir (5). Ces incrustations pourraient se former plus ou moins rapidement en fonction du type de dureté de l'eau et de la fréquence d'utilisation de l'appareil. Plus l'eau est dure, plus la formation d'incrustations est rapide.

Les incrustations diminuent les prestations de l'appareil et pourraient empêcher son fonctionnement, par conséquent elles doivent être éliminées au moins une fois par semaine.

A la fin du nettoyage quotidien décrit ci-dessus, nous recommandons, au moins une fois par semaine, de procéder à la décalcification de l'appareil de la manière suivante :

Répéter les opérations décrites au paragraphe "Nettoyage quotidien".

Verser dans le réservoir (5) un mélange d'eau (de préférence déminéralisée) et de vinaigre blanc en quantité égale, de manière à le remplir. Laisser agir au moins 4 heures (ou mieux encore, toute la nuit).

Rincer abondamment plusieurs fois avec de l'eau potable et essuyer avec un chiffon doux en frottant délicatement. Si nécessaire, répéter les opérations ci-dessus jusqu'à l'élimination totale des dépôts de calcaire.



Attention !!

Ne pas placer l'appareil directement sous le jet d'eau

- Si l'humidificateur n'est pas utilisé pendant une période prolongée, après le nettoyage, essuyer le réservoir d'eau (5) et le transducteur.
- Tenir le fil électrique et les grilles d'aération éloignés de l'eau.
- Ne pas faire entrer l'eau dans la partie supérieure du groupe nébuliseur (6) de l'appareil; si cela a lieu, avant de le réutiliser, porter l'appareil chez un revendeur ou un technicien spécialisé pour un contrôle.
- Ne pas gratter le transducteur avec des outils et ne pas utiliser de produits chimiques ou abrasifs pour le nettoyer.







PROBLEMES ET SOLUTIONS

Problème	Solution
Si l'humidificateur ne fonctionne pas	Contrôler l'insertion correcte de la broche du fil de l'adaptateur de réseau AC/DC dans le connecteur de l'adaptateur de réseau (3) et le branchement de l'adaptateur de réseau AC/DC (7) à la prise de courant. Contrôler si l'interrupteur allumé / éteint O (2) est sur la position allumé I. Contrôler la présence d'eau dans le réservoir au niveau approprié (non au-dessous du niveau minimum)
Si le voyant lumineux LED signalant l'allumage de l'appareil (1) est allumé et qu'il y a une sortie d'air sans émission de vapeur	Contrôler s'il y a un dépôt de calcaire sur la jauge de niveau d'eau ou sur le transducteur. Contrôler la présence d'eau dans le réservoir au niveau approprié (non au-dessous du niveau minimum)
Odeur étrange	Effectuer les opérations normales de nettoyage. Aérer le réservoir d'eau (5) dans un lieu frais pendant 12 heures.

CARACTERISTIQUES TECHNIQUES

Mod. UM550

Caractéristiques nominales adaptateur de réseau AC/DC: 100-240 V~ 50/60Hz 0,5A
Output: 12V  1200 mA

Tension nominale alimentation humidificateur : 12 V 

Puissance absorbée : 15W

Adaptateur de réseau AC/DC dédié : ELY mod. SAW-1201200 (da confermare non appena ricevuti I documenti relative)

Fréquence transducteur ultrasonique : 2,45 MHz

Capacité du réservoir d'eau : 0,79 L environ / 0,43 L utiles

Capacité de nébulisation : 38 ml/h environ

Adapté aux pièces à volumétrie : 30m³

Autonomie: 6 heures environ

Bruit: inférieur à 40 dB

Type d'appareil : fonctionnement continu

Classe de sécurité: Classe II

Poids : 0.4 kg

Dimensions : 120x120x120 mm

REF 00 000386 000 000

Conditions environnementales de stockage :

Température ambiante: -40 ÷ +70 C°

Humidité relative : 10 % ÷ 90 %

Déclaration CE de conformité :

Par la présente Artsana S.p.A. déclare que cet appareil humidificateur de marque Chicco mod. UM550 est conforme aux spécifications essentielles et aux autres dispositions pertinentes fixées par les Directives 2004/108/EC (compatibilité électromagnétique) et 2006/95/CE (sécurité électrique). Une copie de la déclaration de conformité CE peut être demandée à Artsana S.p.A Via S. Catelli 1 22070 Grandate (CO) Italie.

LEGENDE SYMBOLES



double isolation



Appareil conforme aux spécifications essentielles des directives CE applicables



ATTENTION!



Mode d'emploi



Lire les instructions en annexe



à usage interne exclusivement

